



PROJECT OF GREEN BUS STOP IN BIAŁYSTOK, BUS STATION



IDEA DESCRIPTION

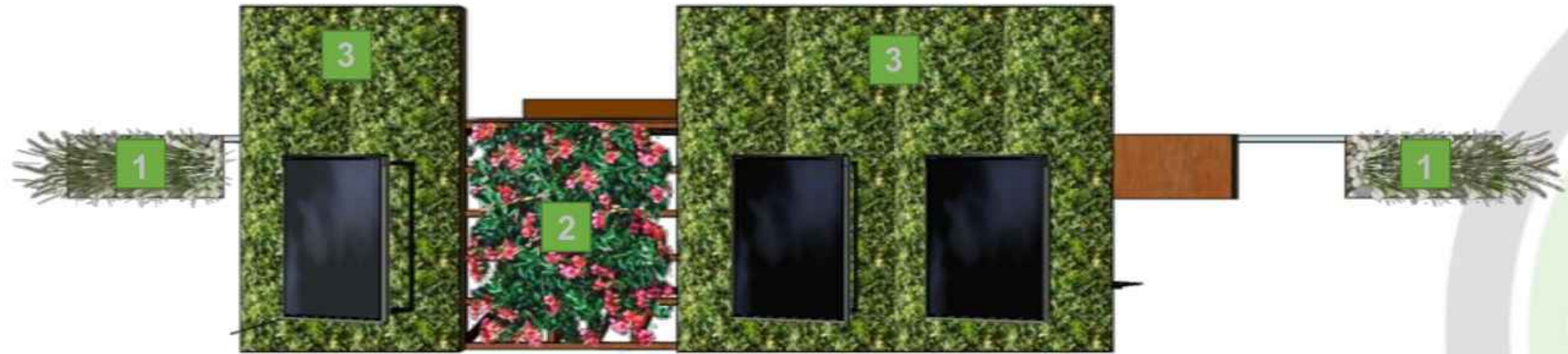
The main idea of this stop was to use new eco-friendly trends, such as a solar panel and a green roof with underground tank to collect rain water. Solar panels can be used for night lighting, smart city elements and phone charging. The shape of the nearby bus station served as inspiration for the design of the stop. Eco-friendly materials are also used in the construction: wood, steel, glass.

LOCATION



Bohaterów Monte Cassino 8, Białystok, Poland

DESIGN PLANS



Calamagrostis acutiflora

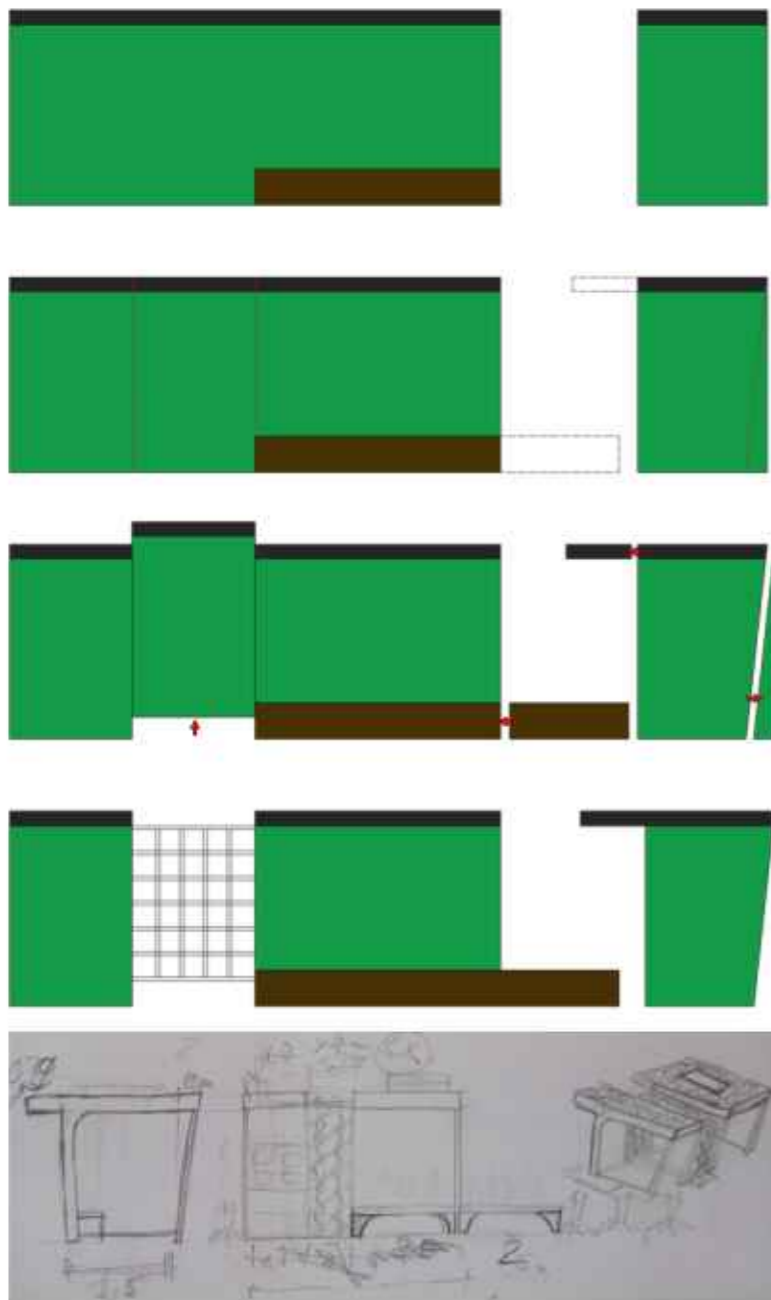


Lonicera henryi

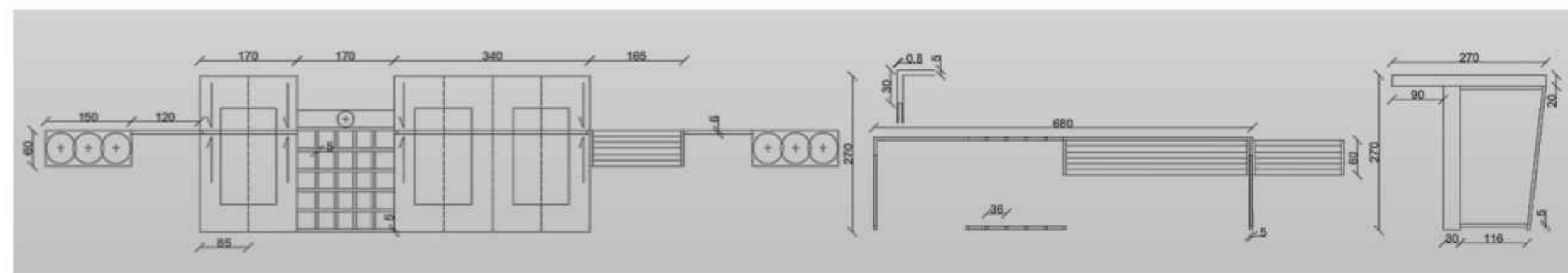


Mata rozchodnikowa

CONCEPT ARTS



TECHNICAL DRAWING



VISUALISATIONS

